



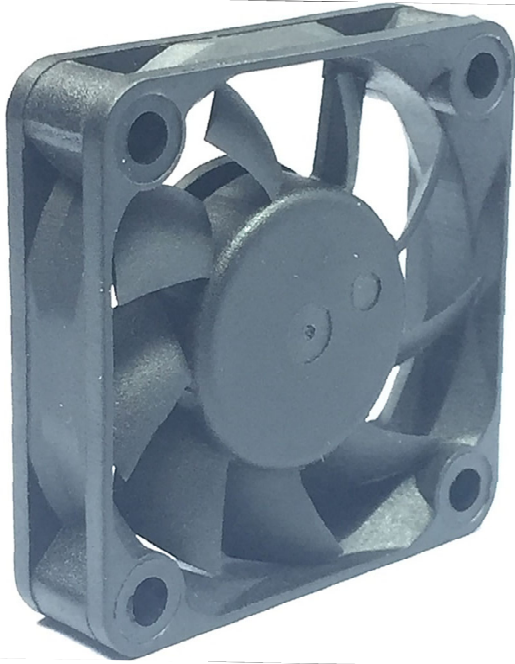
GLOBEFAN TECHNOLOGY CO., LTD.

No. 28, 3 Lane Zhongxinjin Road, Jin Industry District Shoei Koou Village,

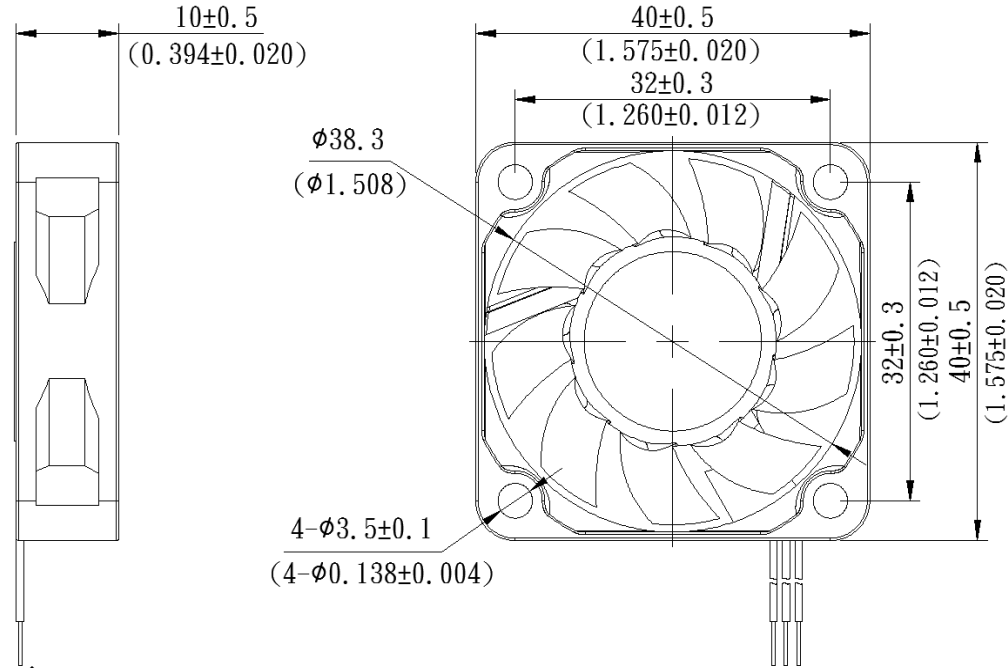
Da Laang Town, Dungguan City, Guangdong Province, China

Tel : +86 769 83182898~9

Fax : +86 769 83182897



◆ DIMENSIONS DRAWING



◆ 40x40x10mm DC Axial Fan P/Q Curves (At rated speed) B Version

* BEARING TYPE

- Ball bearing
- Sleeve bearing

* Electrical Function

- Frequency Generator Output Signal
- RD (Lock Detection) Output Signal
-

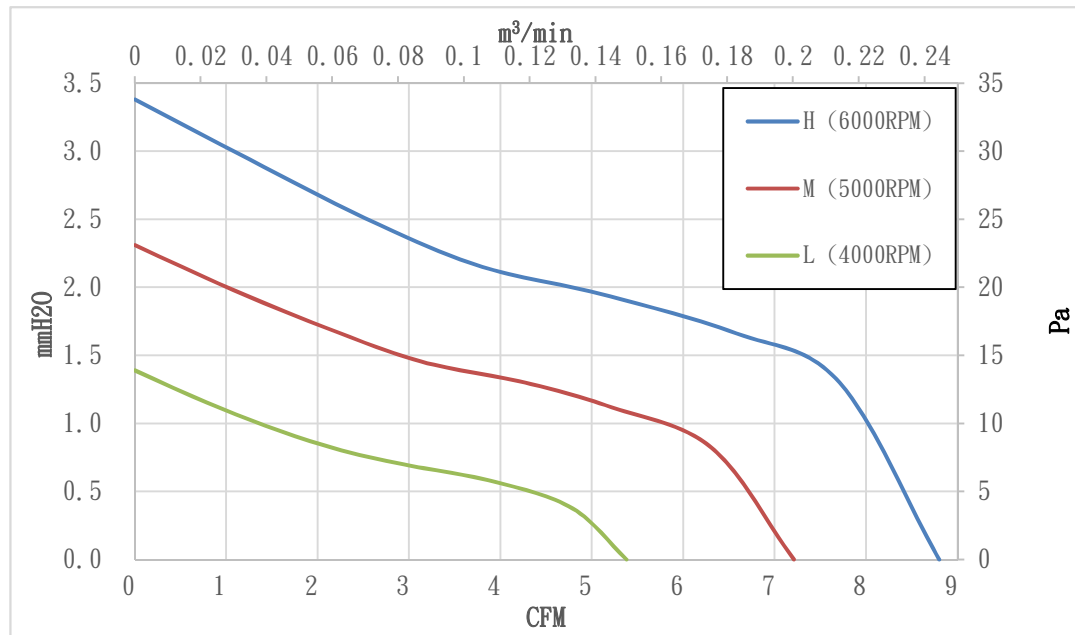
* Material

Impeller: Plastic (PBT 30%GF)
Frame : Plastic (PBT 30%GF)

* Lead wires

UL1007 28AWG or Equivalent
Black Wire Negative (-)
Red or Yellow Wire Positive (+)
White Wire Signal (FG)

* Weight : 14.7g (0.52 oz)



MODEL	Operating Voltage Range	Rated Voltage	Rated Current	Rated Input Power	Speed	Maximum Air Flow		Maximum Air Pressure		Noise
Part No.	VDC	VDC	Amp	Watts	R.P.M	m ³ /min	CFM	mmH ₂ O	Pa	dB(A)
B/S0401012HB	6 ~13.8	12	0.25	3.0	6000±10%	0.25	8.80	3.38	33.15	29.9
B/S0401012MB	6 ~13.8	12	0.20	2.4	5000±10%	0.20	7.21	2.31	22.65	25.1
B/S0401012LB	6 ~13.8	12	0.15	1.8	4000±10%	0.15	5.38	1.39	13.63	21.7

* Function type is optional.

* The max. air flow and speed are measured in free air; max. air pressure is measured at close to zero air flow.

* Noise is measured in anechoic chamber in free air, one meter from intake side.

* All readings are typical values at rated voltage.

* Specifications are subject to change without notice.